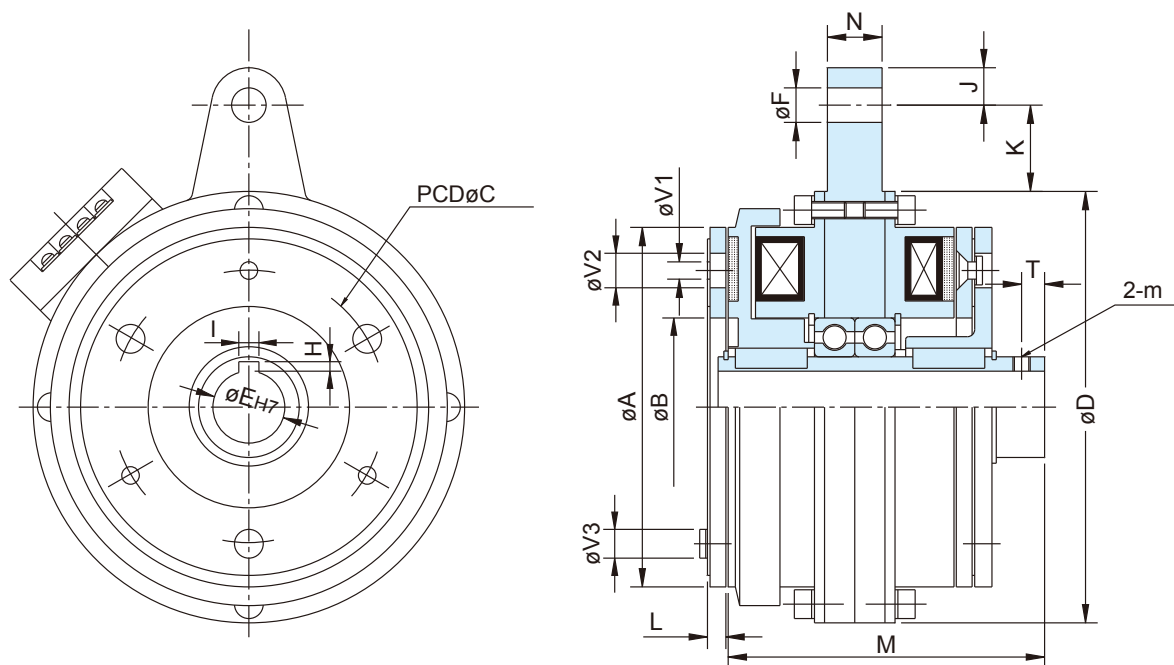


CDC Series

套筒式電磁離合、煞車器組 Sleeve-type Electromagnetic Clutch Brake Module



型號 MODEL		CDC005AA	CDC010AA	CDC020AA	CDC040AA
靜摩擦轉距 Static Friction Torque [kgm](Nm)		4.5 (45)	9.0 (90)	17.5 (175)	35 (350)
動摩擦轉距 Dynamic Friction Torque [kgm](Nm)		4.0 (40)	8.0 (80)	16 (160)	32 (320)
功率 Power [24V](W) at 20°C		25	35	45	60
徑 方 向 Radius	A	125	160	200	250
	B	62	80	100	124.5
	D	150	190	230	290
	F	12	15	18	21
	J	13	18	20	25
	K	30	37	44	50
	V1	3-6.1	3-8.1	3-10.2	4-12.2
	V2	3-12	3-15	3-18	4-22
	V3	3-10.5	3-14	3-17	4-19
軸 方 向 Shaft	C	95	120	158	210
	E	25	35	40	48
	H	3.3	3.8		
	I	7	10		12
	L	6.8	9.4	11.8	13
	M	107	148		148.3
	N	20			30
	T	8	12		
	m	M6	M8		
重量 Weight (kg)			13.5	23	41.5
保護素子 Protective device		10D680K	14D680K		20D680K