

- 結構為開防式離合器2側出力軸1處

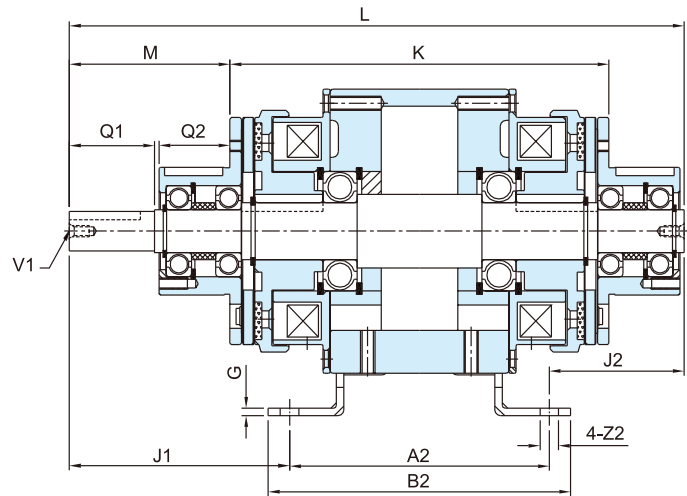
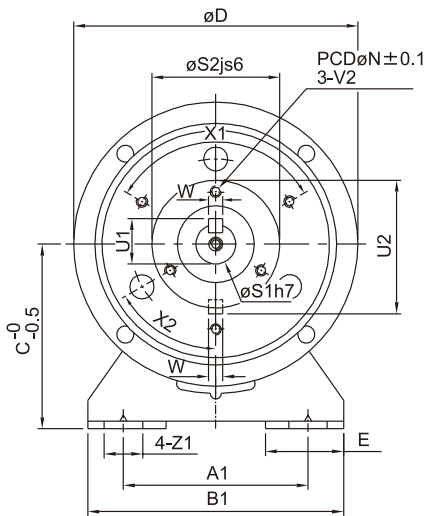
Open-design dual clutch with one output shaft

- 雙側的離合器轉子被固定在出力軸上而離合器的軸承凸輪在出入軸上，當右側的離合器通過電流時出力軸就會被帶動，當右側斷電時離合器就會分離，出入軸就停止。當左離合器通電時出力軸被帶動，左側斷電時離合器就會分離，出力軸就停止。

Two-way clutch rotor is attached to the output shaft, and clutch bearing cam is on the output-input shaft. When the right side is energized the output-input shaft is driven and when current is cut to the right side it disengages so the output-input shaft stops. When the left side is energized the output-input shaft is driven, and when current to the left side is cut the clutch disengages and the output-input shaft stops.

- 此機種適用於2段變速組合，正反轉組合動力傳達分配。

This unit can be used in two-speed applications or where bi-directional rotation is used to transmit power.



| 型號 MODEL | CDD0S6AA | CDD1S5AA | CDD2S5AA | CDD005AA | CDD010AA | CDD020AA | CDD040AA | |
|--|-----------|------------|----------|------------|----------|---------------|-------------|-------------|
| 靜摩擦轉距 Static Friction Torque [kgm](Nm) | 0.55(5.5) | 1.1(11) | 2.2(22) | 4.5(45) | 9(90) | 17.5(175) | 35(350) | |
| 功率 Power [24V](W) at 20°C | 11 | 15 | 20 | 25 | 35 | 45 | 60 | |
| 懸垂荷重 Suspended load (kgf) | 14 | 25 | 45 | 70 | 100 | 180 | 260 | |
| 徑方向 Radius | A2 | 72 | 90 | 110 | 135 | 160 | 240 | |
| | B2 | 88 | 105 | 130 | 160 | 185.5 | 270 | |
| | G | 10.8 | 2.6 | 3.2 | 3.2 | 4.5 | 20 | |
| | J1 | 66 | 78.2 | 98 | 120.3 | 149.5 | 238 | |
| | J2 | 43 | 48.8 | 58 | 71.7 | 87.5 | 125 | |
| | K | 111.5 | 133 | 161.4 | 191.6 | 233 | 289.4 | |
| | L | 181 | 217 | 266 | 327 | 397 | 492 | |
| | M | 46.5 | 56.5 | 72 | 92 | 113 | 142 | |
| | Q1 | 25 | 30 | 40 | 50 | 60 | 80 | |
| | Q2 | 20 | 25 | 30 | 40 | 50 | 60 | |
| 軸方向 Shaft | V1 | M4*0.7P*8L | | M6*1P*11L | | M10*1.5P*17L | | |
| | Z2 | 6.4 | 6.5 | 9 | 11 | 11.5 | 14 | |
| | A1 | 51.5 | 65 | 80 | 105 | 135 | 155 | |
| | B1 | 79 | 90 | 110 | 140 | 175 | 200 | |
| | C | 55 | 65 | 80 | 90 | 112 | 132 | |
| | D | 80 | 100 | 125 | 150 | 190 | 230 | |
| | E | 27.5 | 27.5 | 32.5 | 35 | 42 | 45 | |
| | N | 33 | 37 | 47 | 52 | 62 | 74.5 | |
| | S1 | 11 | 14 | 19 | 24 | 28 | 38 | |
| | S2 | 38 | 45 | 55 | 64 | 75 | 90 | |
| | U1 | 12.5 | 16 | 21 | 27 | 31 | 41.5 | |
| | U2 | 39.5 | 47 | 57 | 67 | 78 | 93.5 | |
| | V2 | M4*0.7P*6L | | M4*0.7P*8L | | 6-M5*P0.8*12L | 4-M6*P1*12L | 8-M6*P1*12L |
| | W | 4 | 5 | | 7 | 10 | 12 | |
| | X1 | 3-120° | | 4-90° | | 8-45° | | |
| | X2 | 60° | | 45° | | 30° | 45° | |
| | Z1 | 13 | 13.5 | 15.5 | 20 | 24 | 28 | |
| 重量 Weight (kg) | 1.5 | 2.7 | 5.5 | 9.6 | 18.5 | 35 | 64 | |
| 保護素子 Protective device | 470KD07 | GD80KD10 | | GD80KD14 | | | | |