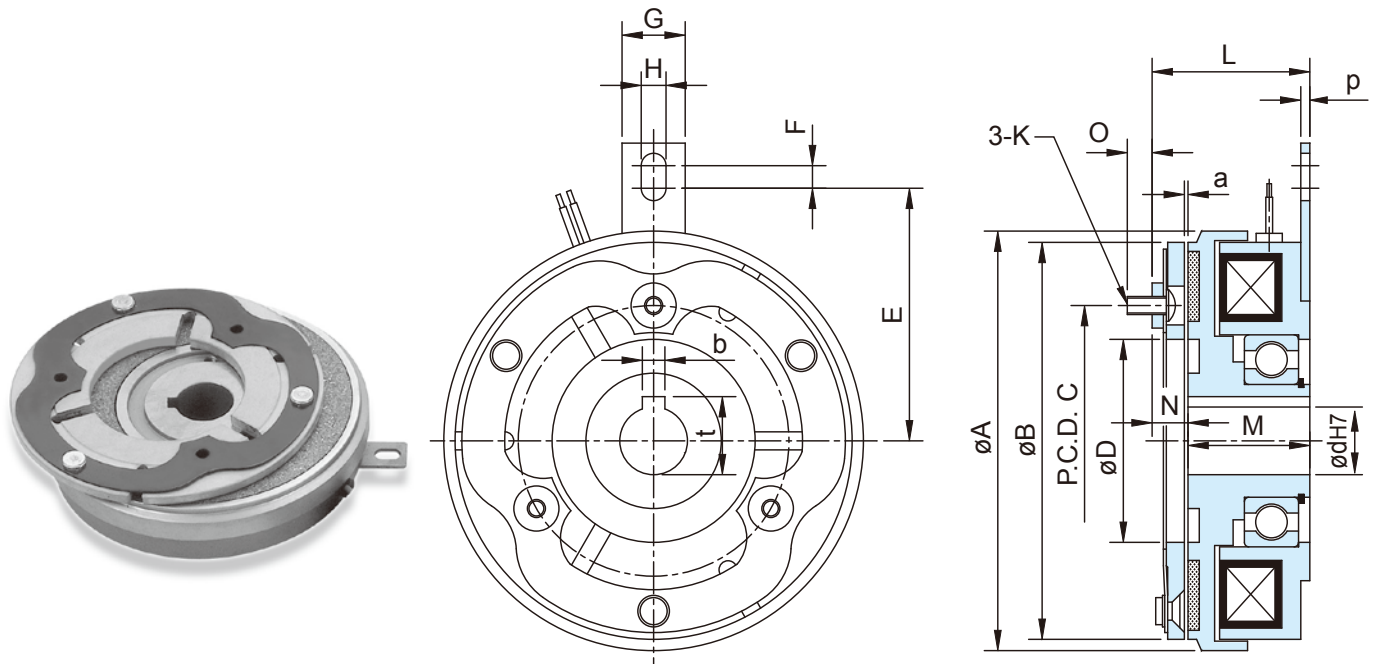


CDJ Series

Flat Design

乾式單板標準超薄型電磁離合器 Electromagnetic Bearing - Mounted Clutch



型號 MODEL		CDJ0S6AA(AB)	CDJ1S5AA	CDJ2S5AA	CDJ005AA	CDJ010AF	CDJ020AB
靜摩擦轉距 [kgm](Nm) Static Friction Torque		0.55 (5.5)	1.1 (11)	2.2 (22)	4.5 (45)	9.0 (90)	17.5 (175)
動摩擦轉距 [kgm](Nm) Dynamic Friction Torque		0.5 (5.0)	1.0 (10)	2.0 (20)	4.0 (40)	8.0 (80)	16 (160)
功率 Power [24V](W) at 20°C		14	22	26	29	35	45
徑 方 向 Radius	A	74	93	116	144	178	225
	B	70	88	110	137	172	217
	C	50	60	76	95	120	158
	D	35	47	55	67	90	110
	E	39.75	56	61.45	77.15	99	117
	F	5	5	4.3	4.9	10	10
軸 方 向 Shaft	G	12	14	16	16	25	25
	H	4.5	5.5	6.5	6.5	8.5	8.5
	K	M3	M4	M5	M6	M8	M10
	L	30.2	34.75	39.1	44.4	55.8	66.2
	M	25	26.5	30.1	34	43	50
	N	6.2	7.75	8.8	10.9	12.8	16.2
	O	5	6.5	8	11	14	17.5
	P	2	2	2	2	3	3
	d	10(12)	15	20	25	30	40
	b	4	5		7		10
	t	11.8(13.8)	17.3	22.3	28.3	33.3	43.8
	a	0.2 (±0.05)			0.3 (^{+0.05} / _{-0.1})		0.5 (⁰ / _{-0.2})
重量 Weight (kg)		0.5	1.0	1.8	3.5	6.5	11.5
保護素子 Protective device		07D470K			10D680K	14D680K	