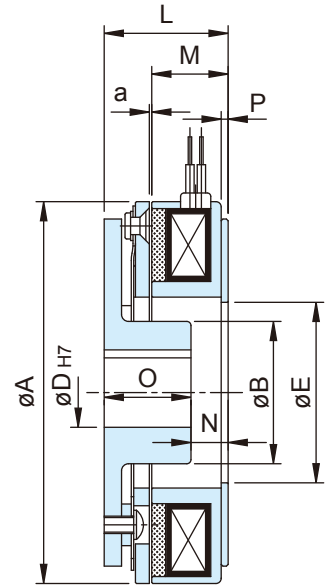
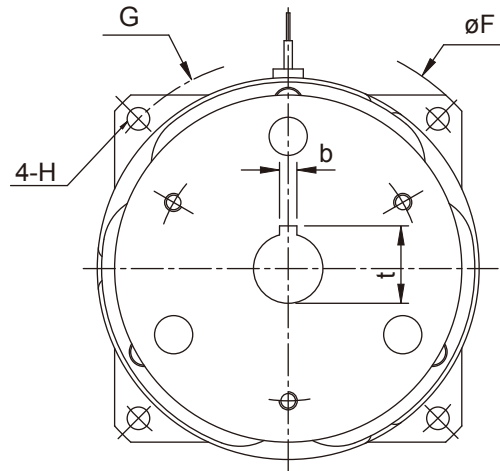


CI2 Series

Flat Design

乾式單板超薄型電磁煞車器 Electromagnetic Power-Applied Friction Brake

附導座 with short hub



| 型號 MODEL | | CI21S5AA(AB) | CI22S5AA(AB) | CI2005AA(AB) | CI2010AA(AB) | CI2020AA(AB) |
|--|---|--------------------|--------------|---------------------------|--------------|-----------------------|
| 靜摩擦轉距 Static Friction Torque [kgm](Nm) | | 1.1 (11) | 2.2 (22) | 4.5 (45) | 9.0 (90) | 17.5 (175) |
| 動摩擦轉距 Dynamic Friction Torque [kgm](Nm) | | 1.0 (10) | 2.0 (20) | 4.0 (40) | 8.0 (80) | 16 (160) |
| 功率 Power [24V](W) at 20°C | | 22 | 26 | 29 | 37 | 44 |
| 徑 方 向 Radius | A | 88 | 110 | 137 | 172 | 215 |
| | B | 31 | 41 | 49 | 65 | 83 |
| | D | 20 (15) | 25 (20) | 30 (25) | 40 (30) | 50 (40) |
| | E | 45 | 52 | 65 | 80 | 107 |
| | F | 110 | 135 | 165 | 210 | 265 |
| | G | 98 | 122 | 150 | 190 | 240 |
| | H | 5.5 | 6.5 | 6.5 | 8.5 | 11 |
| 軸 方 向 Shaft | L | 31.75 | 34.9 | 42.7 | 47 | 56.4 |
| | M | 20 | 21 | 26 | 27 | 31 |
| | N | 11.75 | 9.9 | 12.7 | 9 | 11.4 |
| | O | 20 | 25 | 30 | 38 | 45 |
| | P | 2 | 2 | 2.5 | 3 | 3.2 |
| | a | 0.2 (± 0.05) | | 0.3 ($^{+0.05}_{-0.1}$) | | 0.5 ($^{0}_{-0.2}$) |
| | b | 5 | 7 (5) | 7 | 10 (7) | 12 (10) |
| | t | 22.3 (17.3) | 28.3 (22.3) | 33.2 (28.3) | 43.8 (33.3) | 53.8 (43.8) |
| 重量 Weight (kg) | | 0.7 | 1.3 | 2.5 | 4.2 | 8 |
| 保護素子 Protective device | | 07D470K | | 10D680K | 14D680K | |