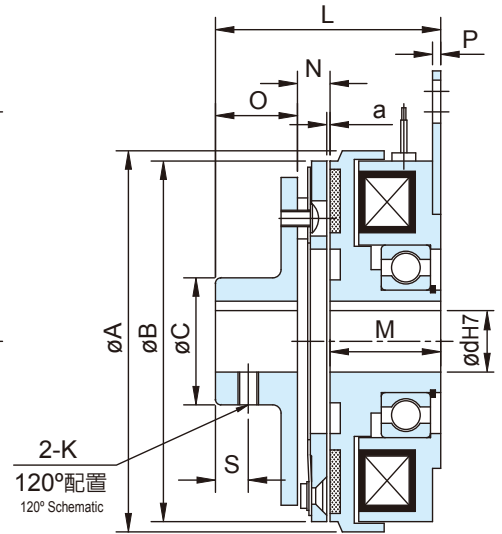
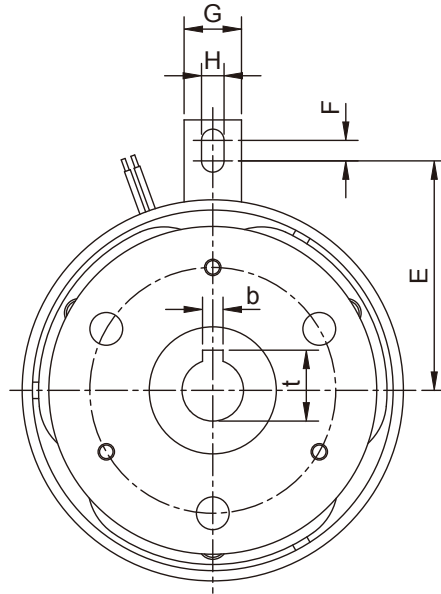


CJ1 Series

Flat Design

乾式單板標準超薄型電磁離合器 Electromagnetic Bearing - Mounted Clutch

附導座 with hub



型號 MODEL		CJ10S6AA	CJ11S5AA	CJ12S5AA	CJ1005AA	CJ1010AA	CJ1020AA
靜摩擦轉距 [kgm](Nm) Static Friction Torque		0.55 (5.5)	1.1 (11)	2.2 (22)	4.5 (45)	9.0 (90)	17.5 (175)
動摩擦轉距 [kgm](Nm) Dynamic Friction Torque		0.5 (5.0)	1.0 (10)	2.0 (20)	4.0 (40)	8.0 (80)	16 (160)
功率 Power [24V](W) at 20°C		14	22	26	29	37	44
徑 方 向 Radius	A	74	93	116	144	178	225
	B	70	88	110	137	172	217
	C	27.5	31	41	49	65	83
	E	39.75	56	61.45	77.15	99	117
	F	5	5	4.3	4.9	10	10
	G	12	14	16	16	25	25
軸 方 向 Shaft	H	4.5	5.5	6.5	6.5	8.5	8.5
	K	M5	M5	M6	M6	M8	M8
	L	45.2	54.75	64.1	73.6	93.8	111.2
	M	25	26.5	30.1	34	43	50
	N	6.2	7.75	9	10.9	12.8	16.2
	O	15	20	25	30	38	45
	P	2	2	2	2	3	3
	S	6	8	10	12	14	18
	d	12	15	20	25	30	40
	b	5(4)	5	7(5)	7	10(7)	10
	t	17.3(13.8)	22.3(17.3)	28.3(22.3)	33.3(28.3)	43.8(33.3)	53.8(43.8)
	a	0.2 (±0.05)			0.3 (^{+0.05} / _{-0.1})		0.5 (⁰ / _{-0.2})
	重量 Weight (kg)		0.6	1.1	1.9	3.4	7.2
保護素子 Protective device		07D470K			10D680K	14D680K	