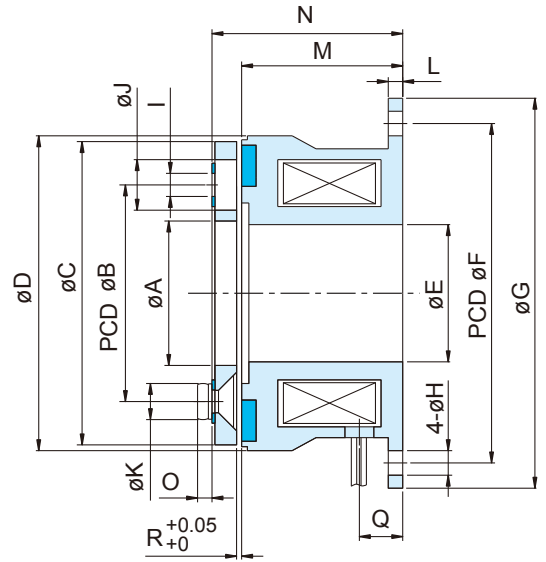
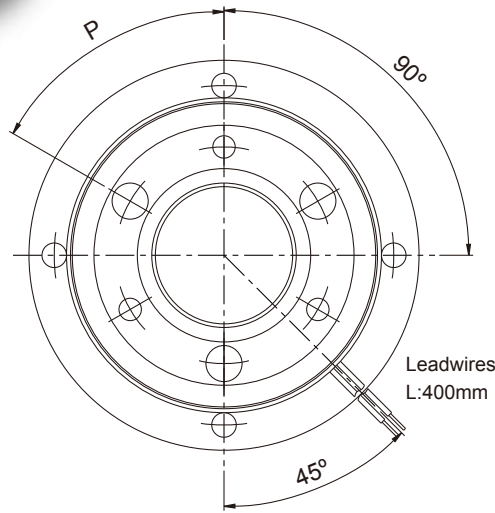


# MBG Series

## 微型電磁煞車器 Miniature Electromagnetic Brake - Flange Mounted



型號 MODEL		MBGS06AA	MBGS09AA	MBG0S2AA	MBG0S4AA
靜摩擦轉距 [kgcm](Nm) Static Friction Torque		6(0.6)	9(0.9)	22(2.2)	45(4.5)
功率 Power [24V](W) at 20°C		6.2	6	8	10
徑方向 Radius	A	12.6	15.2	21.2	29
	B	19.5	23	30	38
	C	31	34	43	54
	D	31.9	34.2	43.6	54.5
	E	11	13	19	26
	F	33.5	38	47	58
	G	39	45	54	65
	H	3.4	3.4	3.4	3.4
	I	2-2.1	3-2.6	3-3.1	3-3.1
	J	2-5	3-6	3-6.5	3-6.5
軸方向 Shaft	K	2-3.8	3-4.5	3-5	3-5
	L	1.5	2	2	2
	M	16	18.9	22.3	23.5
	N	18.3	21.4	25.4	26.7
	O	1.2	1	2	2
	P	90°	60°	60°	60°
	Q	4	5	6	6
R	0.1	0.10	0.15	0.2	