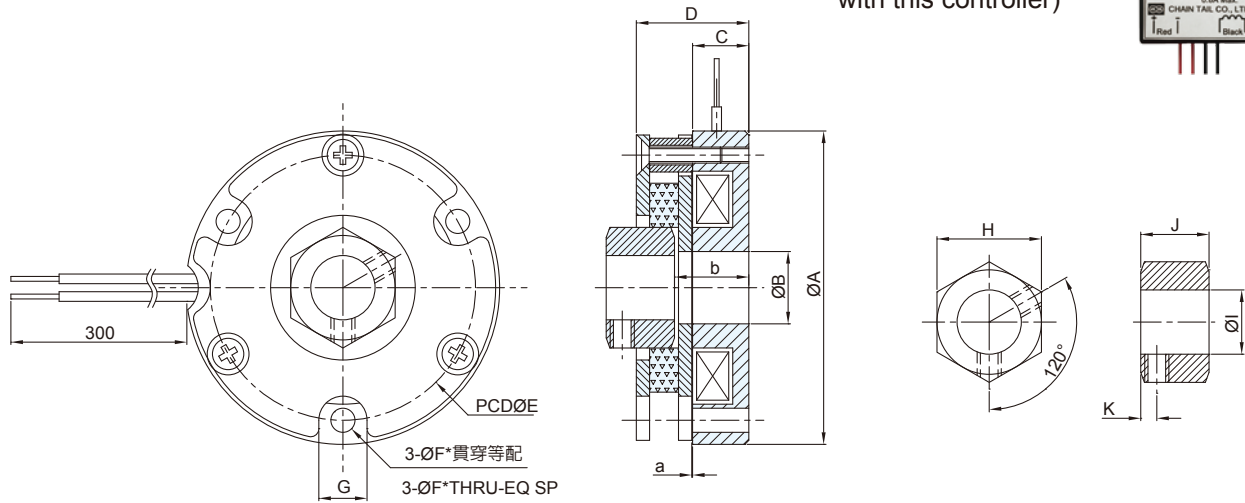


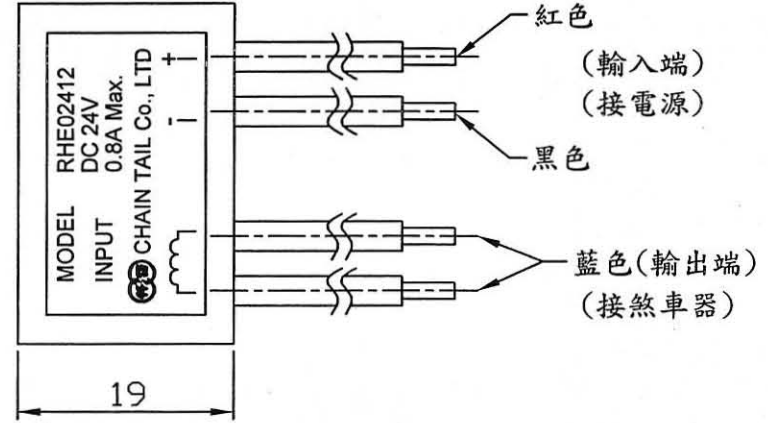
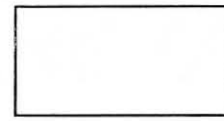
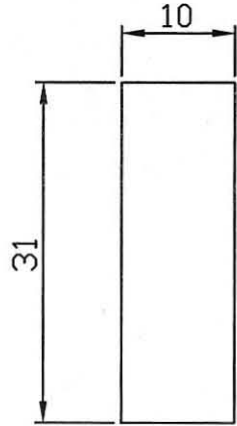
MBS Series

過激磁安全煞車器 Miniature Slim Brake - Overexcitation

(請搭配使用過激磁控制器)
(Please use in combination with this controller)

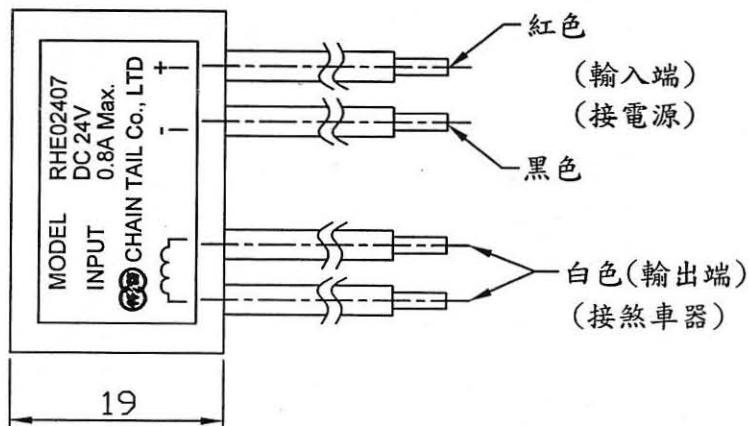
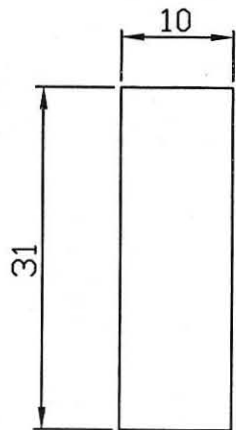


型號 Model	MBSS013AA	MBSS03AA	MBSS05AA	MBSS13AA	MBS0S2AA	
靜扭力 Static Toque (Nm)	0.16	0.32	0.62	1.32	2.5	
電壓 Voltage (VDC)	過激磁狀態 Overexcitation 24					
	保持狀態 Constant Holding 12					
功率 Power (W)@24V	10	8	10	20	18	
容許轉速 Allowable speed (rpm)	5000					
迴轉部慣性矩 不含軸套 Moment of Inertia hub excluded (J) kg-m ²	7×10^{-10}	4×10^{-11}	1.08×10^{-12}	2.66×10^{-12}	6.23×10^{-12}	
容許制動工作量 Allowable Braking Energy (J)	10	10	10	13	19	
總制動工作量 Total Braking Energy (J)	3.6×10^4	7×10^4	15×10^4	20×10^4	28.5×10^4	
重量 Weight (g)	36	72	108	158	312	
外型尺寸 Exterior dimension	A	29	39	48	56	68
	B	9	9	15	15	20
	C	7.5	7	7	7.5	10.3
	D	12	14	14	14.5	17
	E	25	33	42	50	60
	F	2.1	3	3	3.4	4.2
	G	4.5	6	6	6.5	7.2
	H	9.65 *	13	19	19	24.05 *
	I	8	8	14	14	19
	J	8.5	8.5	9	9	9.5
	K	1.8	2	2.5	2.5	3.2
	a	0.07	0.08	0.08	0.1	0.1
b	8.9	9.2	9.2	9.7	13.2	
馬達框架 Motor Frame	□40	□40	□60	□60	□80	



1. 輸入電壓:DC 24V±15%
2. 最大輸出電流:DC 0.8A(@80°C)
3. 輸出電壓:瞬間DC24V(0.5sec.Max.)
保持DC12V(±5%)
4. 使用溫度:-20~80°C
5. 絕緣阻抗:500VDC50MΩ以上
6. 絕緣耐壓:1500V/1mA/1sec.
6. 出口線材:UL3266-22AWG
長度150mm, 剝皮5mm(半剝)

1. Input volt: DC24V ±15%
2. Max. output current:DC 0.8A (@80°C)
3. Output volt:energize coil with DC24V for 0.5 sec. max.
then reduce to DC12V (±5%) for holding status.
4. Temp. :-20°C~80°C
5. Insulation resistance:500VDC/50MΩ(minimum)
6. HI-pot:1500V/1mA/1sec.
7. Lead wire:UL3266-22AWG, 150mm long, strip 5mm



- | | |
|--|--|
| 1. 輸入電壓:DC 24V±15% | 1. Input volt: DC24V ±15% |
| 2. 最大輸出電流:DC 0.8A(@80°C) | 2. Max. output current:DC 0.8A (@80°C) |
| 3. 輸出電壓:瞬間DC24V(0.5sec. Max.)
保持DC7V(±5%) | 3. Output volt:energize coil with DC24V for 0.5 sec. max.
then reduce to DC7V (±5%) for holding status. |
| 4. 使用溫度:-20~80°C | 4. Temp. :-20°C~80°C |
| 5. 絕緣阻抗:500VDC50MΩ以上 | 5. Insulation resistance:500VDC/50MΩ(minimum) |
| 6. 絕緣耐壓:1500V/1mA/1sec. | 6. HI-pot:1500V/1mA/1sec. |
| 7. 出口線材:UL3266-22AWG
長度150mm, 剝皮5mm(半剝) | 7. Lead wire:UL3266-22AWG, 150mm long, strip 5mm |