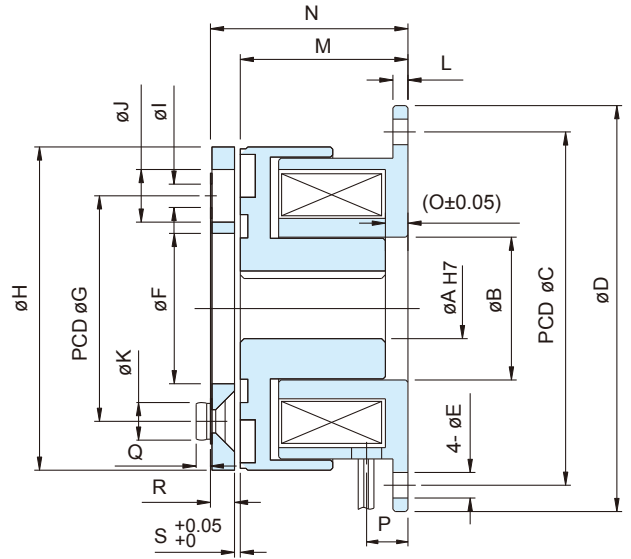
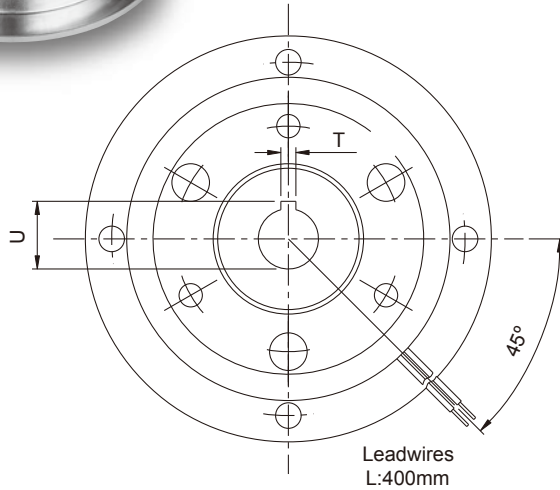


# MCF Series

## 微型電磁離合器-法蘭固定型 Miniature Electromagnetic Clutch - Flange Mounted



型號 MODEL		MCFS06AA	MCFS09AA	MCF0S2AA	MCF0S4AA
靜摩擦轉距 [kgcm](Nm) Static Friction Torque		6(0.6)	9(0.9)	18(1.8)	36(3.6)
功率 Power [24V](W) at 20°C		6.2	6	8	10
徑 方 向 Radius	A	6	6	8	10
	B	11	13	19	26
	C	33.5	38	47	58
	D	39	45	54	65
	E	3.4	3.4	3.4	3.4
	F	12.6	15.2	21.2	29
	G	19.5	23	30	38
	H	31	34	43	54
	I	2-2.1	3-2.6	3-3.1	3-3.2
	J	2-5	3-6	3-6.5	3-6.5
軸 方 向 Shaft	K	2-3.8	3-4.5	3-5	3-5
	L	1.5	2	2	2
	M	16	19	22.3	23.5
	N	18.3	21.5	25.4	26.7
	O	2	2	3	3
	P	4	5	5.5	6
	Q	1.2	1.5	1.4	1.8
	R	2.2	2.4	2.95	3
	S	0.1	0.15	0.15	0.2
	T	2	2	2	3
U	7	7	9	11.4	