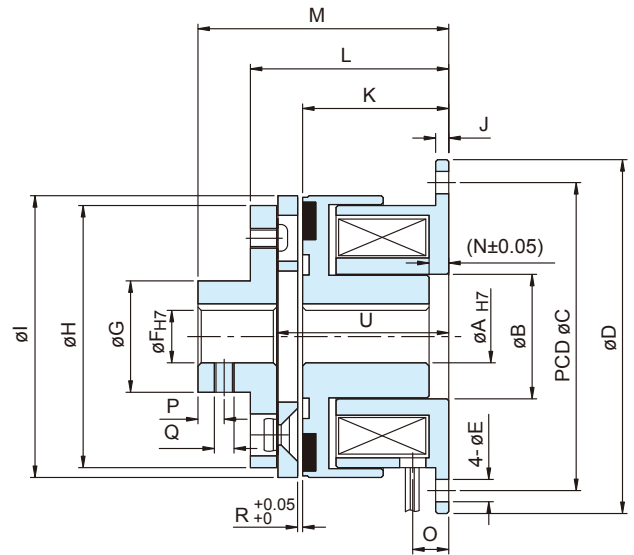
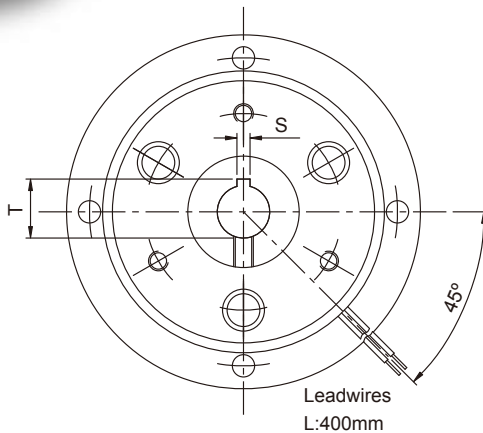


MF1 Series

微型電磁離合器-法蘭固定型 Miniature Electromagnetic Clutch - Flange Mounted

附導座 with hub



型號 MODEL		MF1S06AA	MF1S09AA	MF10S2AA	MF10S4AA
靜摩擦轉距 [kgcm](Nm) Static Friction Torque		6(0.6)	9(0.9)	18(1.8)	36(3.6)
功率 Power [24V](W) at 20°C		6.2	6	8	10
徑 方 向 Radius	A	6	6	8	10
	B	11	13	19	26
	C	33.5	38	47	58
	D	39	45	54	65
	E	3.4	3.4	3.4	3.4
	F	6	6	8	10
	G	12.9	15	17	24
	H	28	32	40	50
	I	31	34	43	54
軸 方 向 Shaft	J	1.5	2	2	2
	K	16	19	22.3	23.5
	L	21.3	24.5	28.4	29.6
	M	26.3	31.5	37.4	38.6
	N	2	2	3	3
	O	4	5	5.5	6
	P	2.5	4	4	5
	Q	M3*P0.5	M3*P0.5	M3*P0.5	M3*P0.5
	R	0.1	0.15	0.15	0.2
	S	2	2	2	3
	T	7	7	9	11.4
U	18.3	21.6	25.4	26.8	