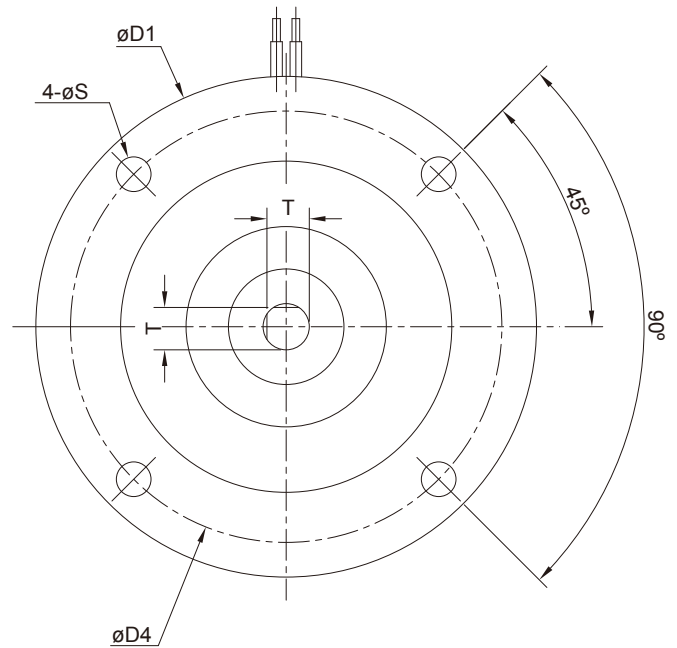
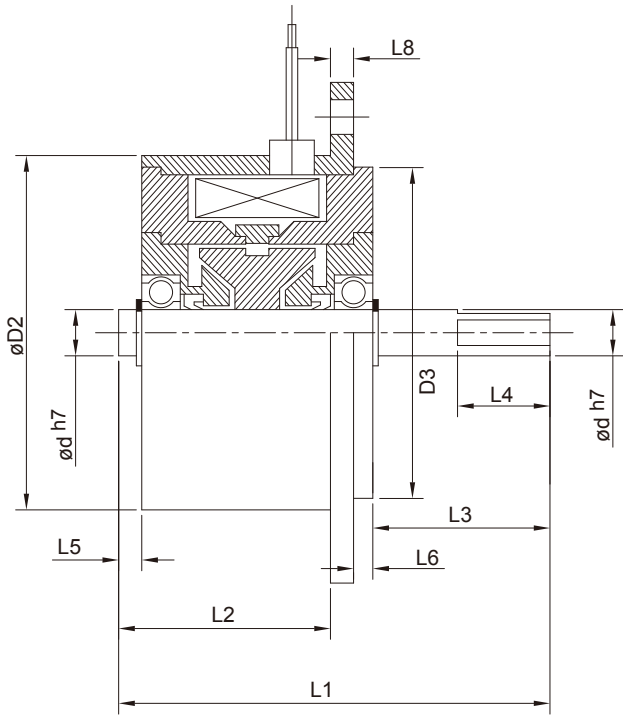


ZOP Series

磁粉式小型電磁煞車器 Micro Magnetic Particle Brake



| 型號 MODEL | ZOPS05AA | ZOPS10AA | ZOPS20AA | |
|---|-------------------|-----------|-----------|------|
| 定格轉距 [kgm](Nm) Rated torque | 0.05 (0.5) | 0.1 (1.0) | 0.2 (2.0) | |
| 容量 Capacity DC24V | 電流 (A) Current | 0.26 | 0.37 | |
| | 電力 (W) Power | 6.3 | 8.9 | |
| 慣性矩 J (kgcm ²) Moment of inertia | 0.025 | 0.055 | 0.36 | |
| 重量 Weight (kg) | 0.4 | 0.5 | 1.0 | |
| 最高轉速 Maximum number of turns (r/min) | 1800 | | | |
| 外型尺寸 Exterior dimensions | D1 | 65 | 75 | 92 |
| | D2 | 46 | 56 | 69 |
| | D3 | 43 | 54 | 69 |
| | D4 | 56 | 66 | 82 |
| | d | 6 | 7 | 10 |
| | L1 | 56 | 61 | 71.5 |
| | L2 | 27.5 | 31.3 | 32.5 |
| | L3 | 23 | 22.7 | 33 |
| | L4 | 15 | 12 | 30 |
| | L5 | 3 | 2.3 | 2.5 |
| | L6 | 2.5 | 3 | 3 |
| | L8 | 3 | 4 | 4 |
| | T | 5.5 | 6.5 | 9 |
| øS | 4.5 | 4.5 | 4.5 | |